

Designed by:  
 Drawn by:  
 S. MILLER  
 Checked by:  
 S. HAQUE

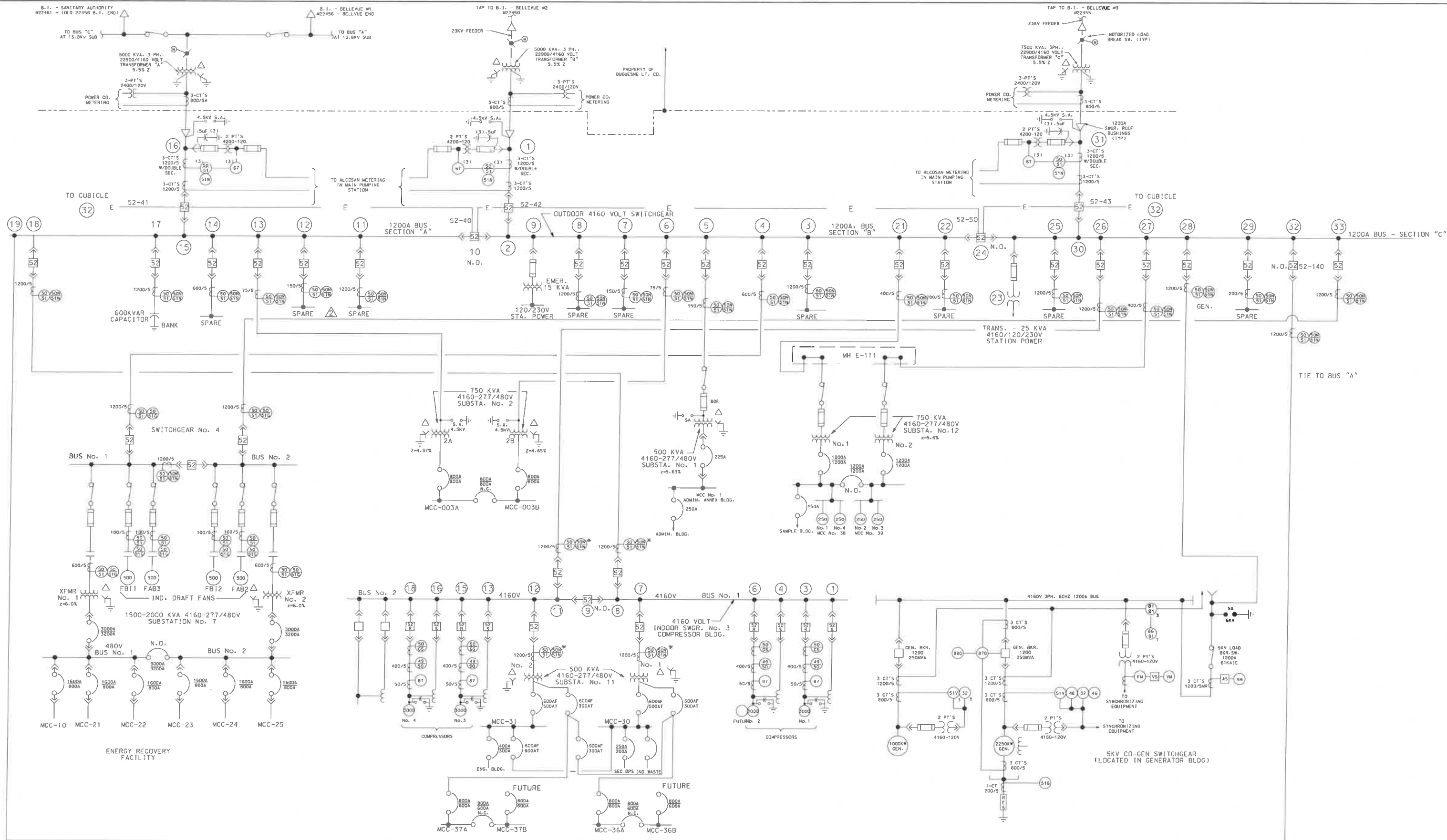
REV No.	DATE	REVISION DESCRIPTION	APPV
1			



ARLETTA SCOTT WILLIAMS  
 EXECUTIVE DIRECTOR, ALCOSAN  
 3300 PREBLE AVE.  
 PITTSBURGH, PENNSYLVANIA  
 PITTSBURGH, PA 15233  
 (412) 766 - 4810  
 www.alcosan.org

ALLEGHENY COUNTY SANITARY AUTHORITY  
 SITE PLAN  
**SITE PLAN  
 PROPOSED ELECTRICAL  
 DISTRIBUTION SYSTEM UPGRADE**

Contract: XXXX  
 CAD File Name: Elect\_Dist\_Upgrade.dgn  
 Date: 06/01/2018  
 Sheet: XX of XXX



Designed by:	REVISION			
Drawn by:	REV No.	DATE	DESCRIPTION	APPV
Checked by:	1			



**allegheeny county sanitary authority**  
 3300 PREBLE AVE.  
 PITTSBURGH, PENNSYLVANIA  
 PITTSBURGH, PA 15233  
 (412) 766 - 4810  
 www.alcosan.org

ARLETTA SCOTT WILLIAMS  
 EXECUTIVE DIRECTOR, ALCOSAN  
 ALLEGHENY COUNTY SANITARY AUTHORITY  
 ACSA SITE  
 Contract: XXXX  
 CAD File Name: 5KV SINGLE LINE.DGN  
 Date: 06/01/2018  
 Sheet: XX of XXX  
**EXISTING 5KV SUBSTATION  
 SINGLE LINE DIAGRAM**